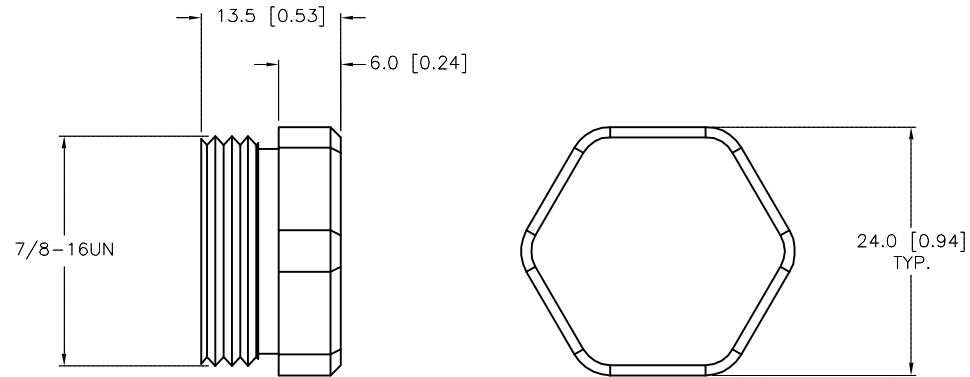



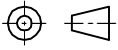
ISO VIEW



SOURCE DRAWING - FOR REFERENCE ONLY

NOTE:

1. ALL DIMENSIONS ARE REFERENCE

RELATED DOCUMENTS		3RD ANGLE PROJECTION		THIS DRAWING IS CONFIDENTIAL AND THE PROPERTY OF TURCK INC. USE OF THIS DOCUMENT WITHOUT WRITTEN PERMISSION IS PROHIBITED.		 3000 CAMPUS DRIVE MINNEAPOLIS, MN 55441 1-800-544-7769 (763) 553-7300 (763) 553-0708 fax www.turck.us	
1. 2. 3. 4.				DRFT RDS	DATE 02/04/14	DESCRIPTION RSFK-BC	
MATERIAL NYLON		ALL DIMENSIONS DISPLAYED ON THIS DRAWING ARE FOR REFERENCE ONLY		APVD	SCALE 1=.8	IDENTIFICATION NO. Z0077	
FINISH COLOR: BLACK		CONTACT TURCK FOR MORE INFORMATION		UNIT OF MEASUREMENT MILLIMETER [INCH]		REV A	
A DRAWING RELEASE		RDS	02/04/14	DO NOT SCALE THIS DRAWING		FILE: Z0077	SHEET 1 OF 1
REV	DESCRIPTION	BY	DATE	ECO NO.			